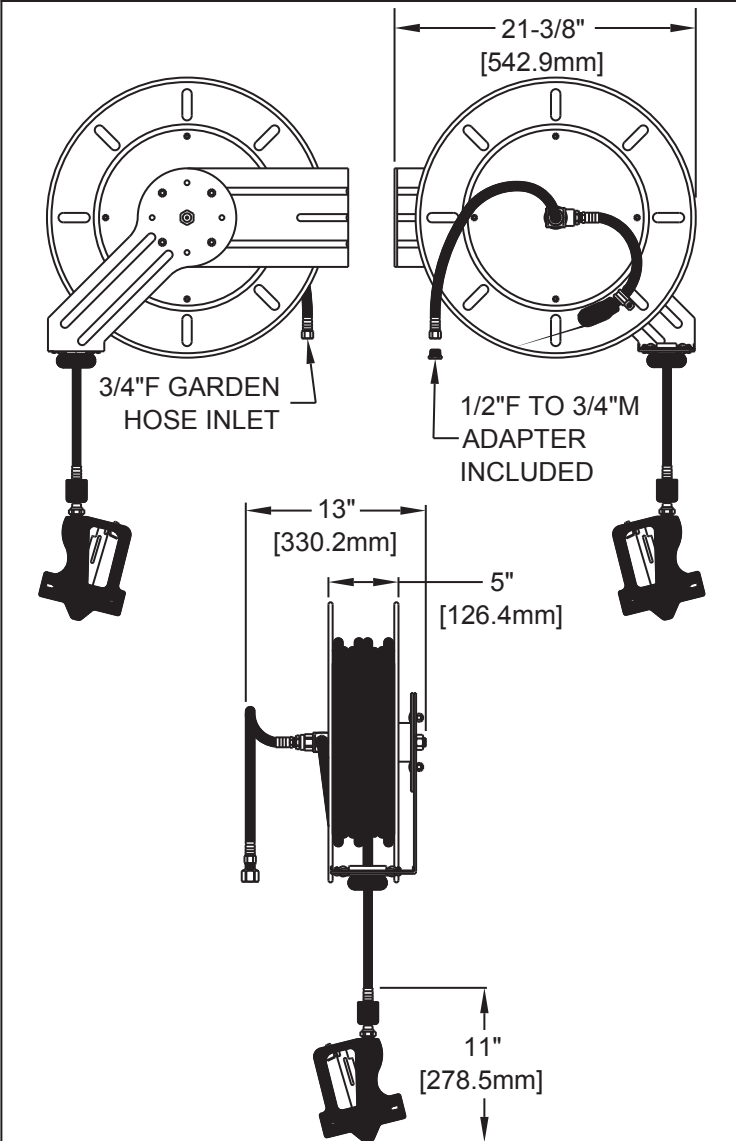


APPLICATION:  
 JOB NAME:  
 QUANTITY:      ITEM NO.:

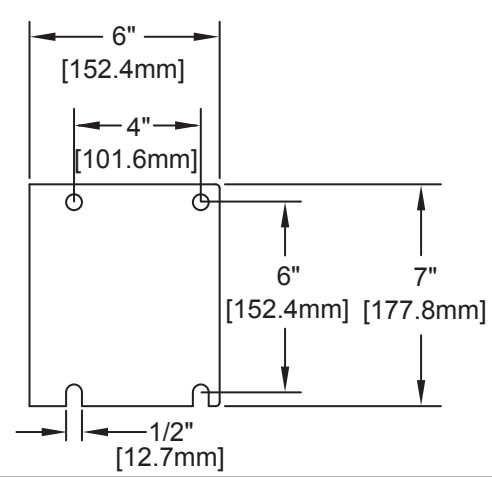
PRODUCT NAME:  
**STAINLESS STEEL REEL RINSE  
 EXPOSED WITH SPRAY GUN**

\_\_\_\_\_ SPECIAL CONFIGURATION  
 (CHECK BASE MODEL AND OPTIONS)

MODEL:  
 29599 W/ 35' LENGTH HOSE  
 29262 W/ 50' LENGTH HOSE



ROUGH-IN: SEE MOUNTING PLATE BELOW



OPTIONS OR MODIFICATIONS:  
 OTHER \_\_\_\_\_

FEATURES:

REEL RINSE

- \* EXPOSED DESIGN
- \* STAINLESS STEEL CONSTRUCTION
- \* GUIDE ARM ADJUSTABLE TO 9 POSITIONS
- \* RATCHET LOCK AND EASY TENSION ADJUST
- \* STAINLESS STEEL OR BRASS FLUID PATH

HOSE

- \* 35' OR 50' LENGTH REEL HOSE
- \* 5/8" ID HIGH TEMPERATURE HOSE
- \* 3-PLY FIBER REINFORCED
- \* 1/2" F NPT OR 3/4" F GARDEN HOSE INLET
- \* 18" LENGTH INLET HOSE
- \* ADJUSTABLE BALL STOP

SPRAY GUN

- \* STAINLESS STEEL CONSTRUCTION
- \* WATERPROOF NYLON COVER
- \* ERGONOMIC DESIGN
- \* LOCKING TRIGGER MECHANISM
- \* 7.0 GPM AT 80 PSI

SYSTEM LIMITS

- \* TEMP: 40°F MIN. TO 140°F MAX.
- \* PRESSURE 150 PSI MAX. STATIC

SHIPPING WEIGHT

- \* 29599 - 55.0 LBS
- \* 29262 - 60.0 LBS

ANSI/A112.18.1M

**FISHER**

FISHER MANUFACTURING COMPANY  
 TOLL FREE: 800-421-6162 - FAX: 800-832-8238  
 information@fisher-mfg.com - www.fisher-mfg.com